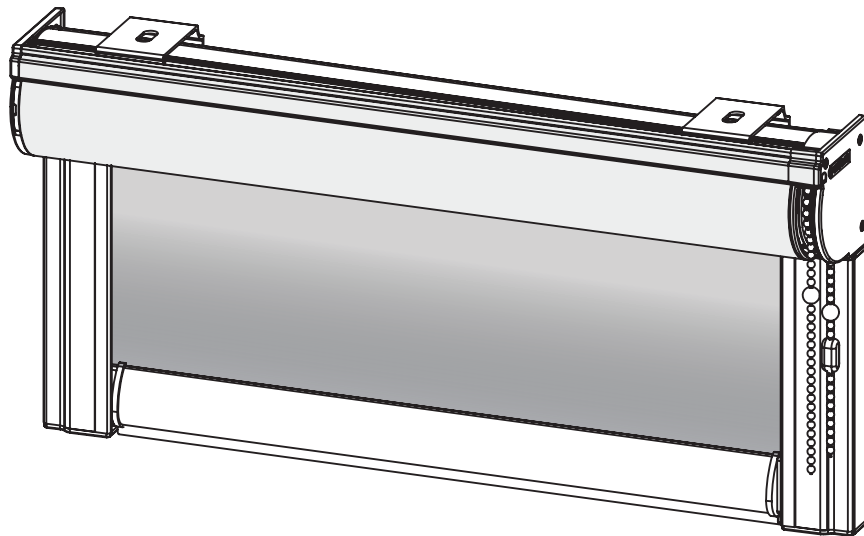


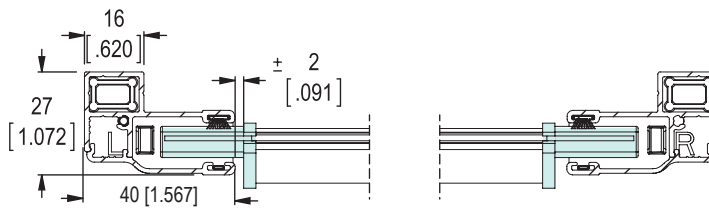
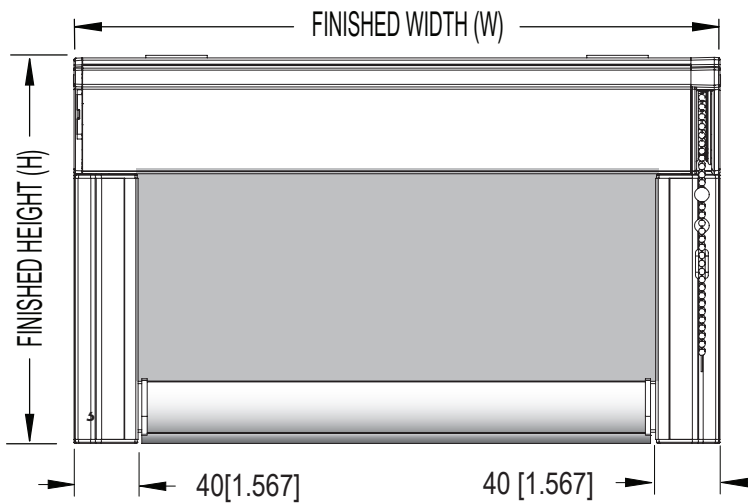
SLIM LINE ROOM DARKENING SYSTEM (TK-70)
WITH **CHANNELS** AND **LITE-LIFT®** OPERATED SYSTEM

MANUAL ROLLER SHADES-CHAIN OPERATED



MANUAL ROLLER SHADES-CHAIN OPERATED

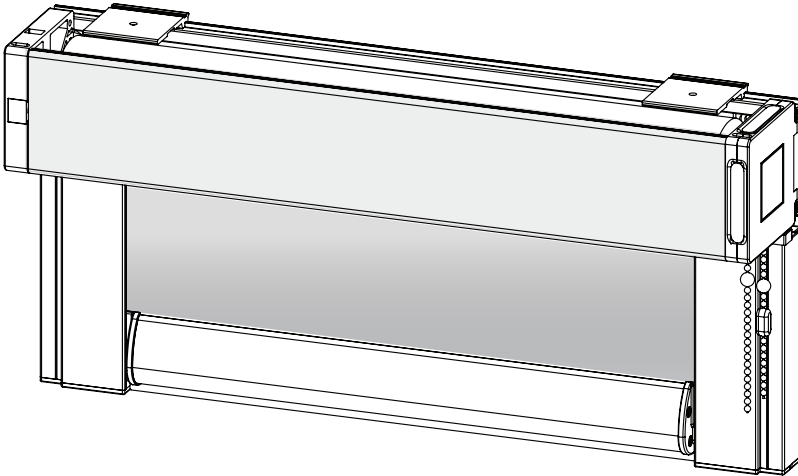
■ SINGLE SHADE



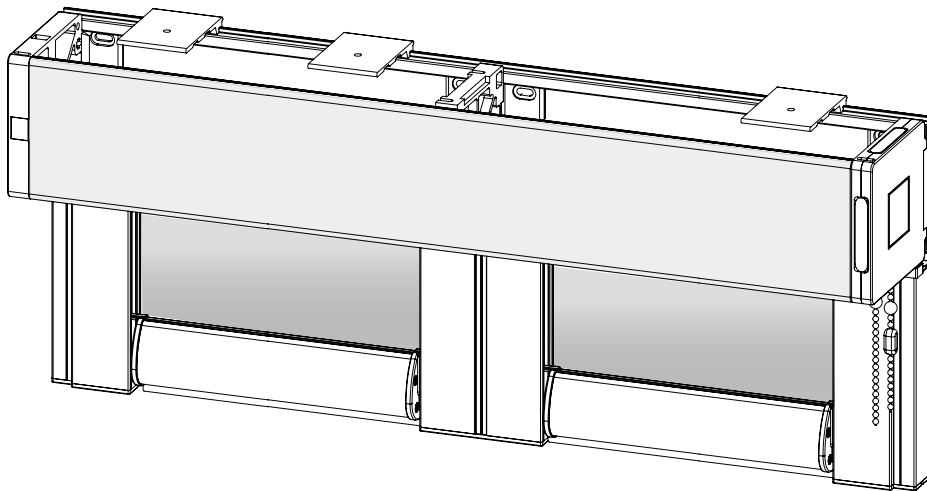
SIDE CHANNEL T440

MANUAL ROLLER SHADES-CHAIN OPERATED

■ SINGLE SHADE



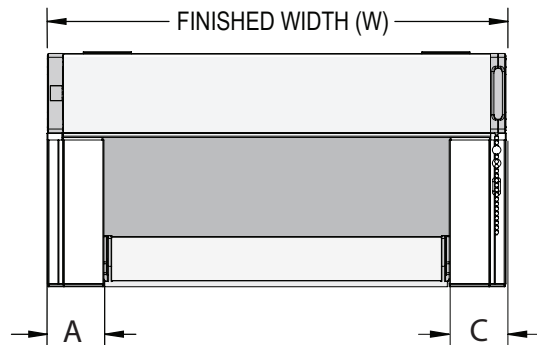
■ TANDEM SHADE



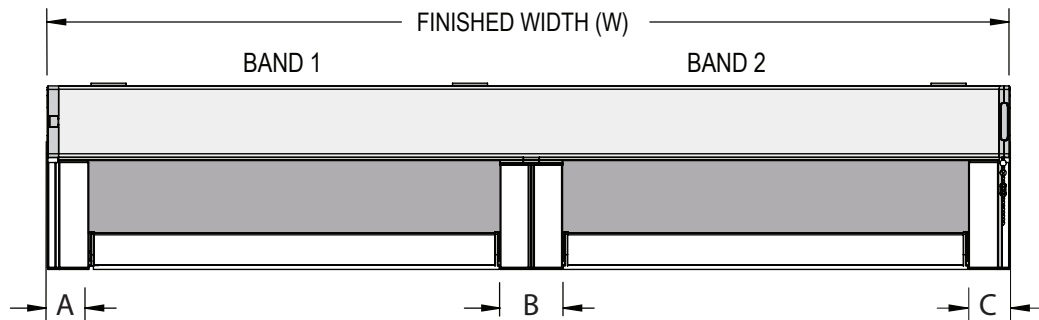
AVAILABLE IN: 2B 3B SIZE LIMITATIONS APPLIES. CALL G-LINE FOR DETAILS

MANUAL ROLLER SHADES-CHAIN OPERATED
AVAILABLE TANDEM OPTIONS

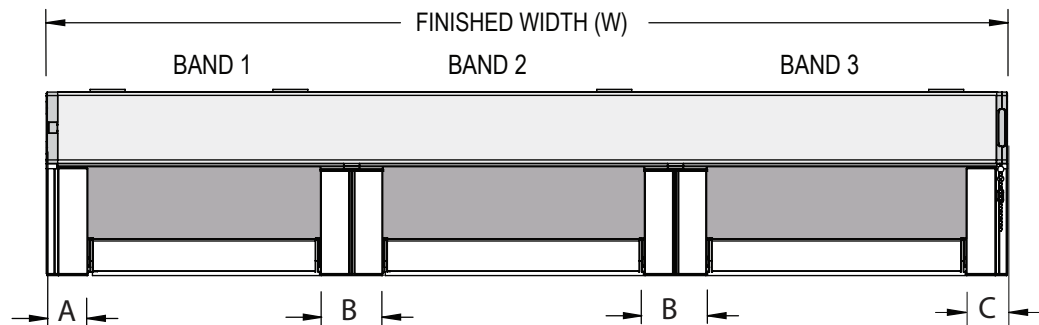
SINGLE SHADE



2 BANDED TANDEM SHADE



3 BANDED TANDEM SHADE



CHANNEL	A	B	C
	T-460	T-490	T-460
	± 60 [2.362"]	± 90 [3.543"]	± 60 [2.362"]
DIMENSION			