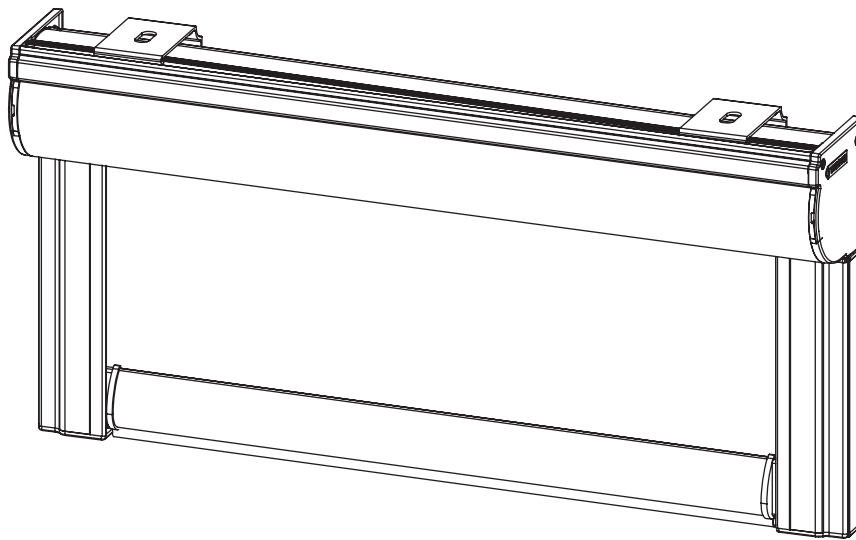
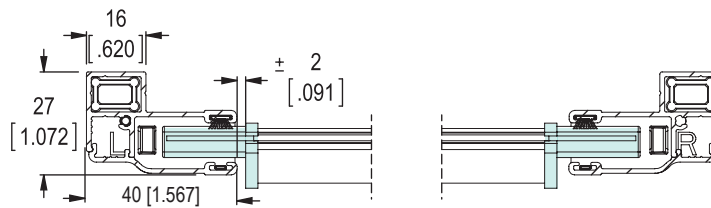
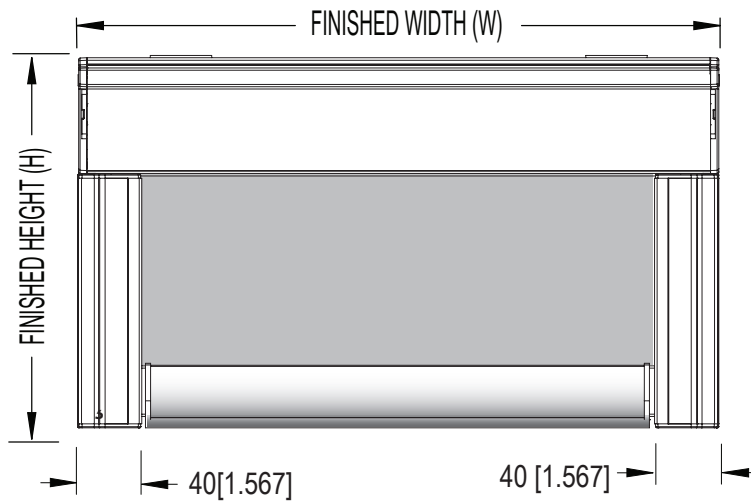


AUTOMATED ROLLER SHADES - LOW VOLTAGE 24VDC



AUTOMATED ROLLER SHADES - LOW VOLTAGE 24VDC

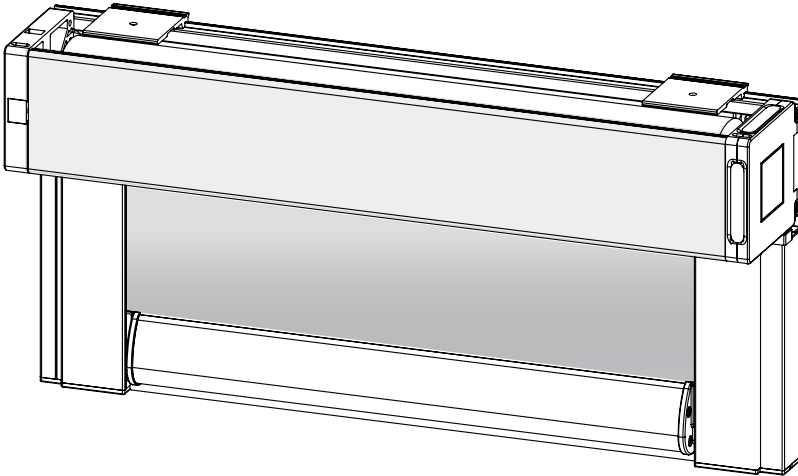
■ SINGLE SHADE



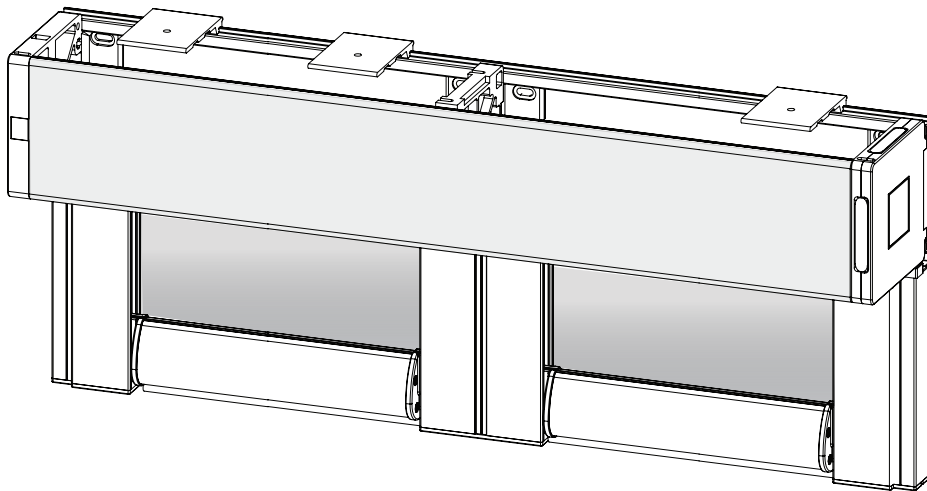
SIDE CHANNEL T440

AUTOMATED ROLLER SHADES - LOW VOLTAGE 24VDC
AVAILABLE TANDEM OPTIONS

■ SINGLE SHADE



■ TANDEM SHADE



AVAILABLE IN:

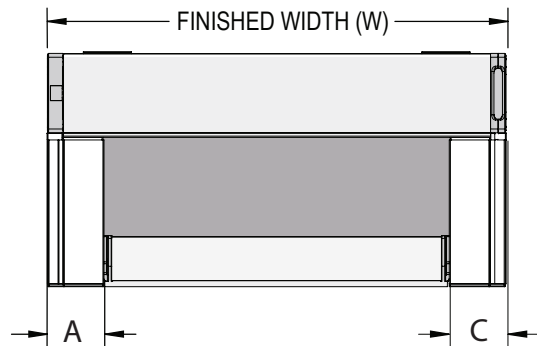
2B

3B

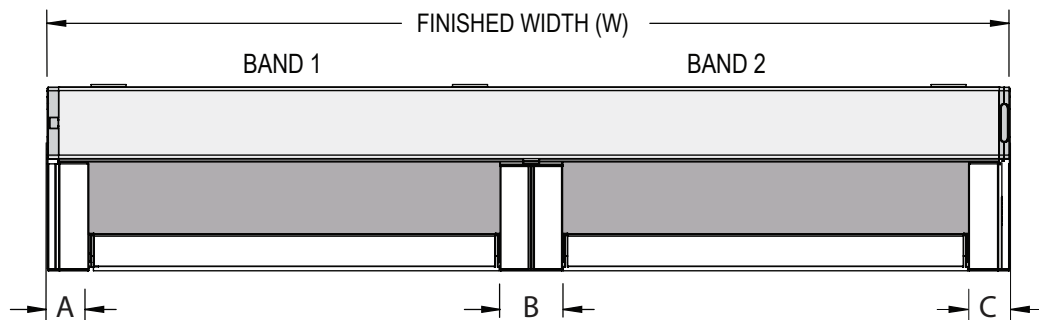
SIZE LIMITATIONS APPLIES. CALL G-LINE FOR DETAILS

AUTOMATED ROLLER SHADES - LOW VOLTAGE 24VDC
AVAILABLE TANDEM OPTIONS

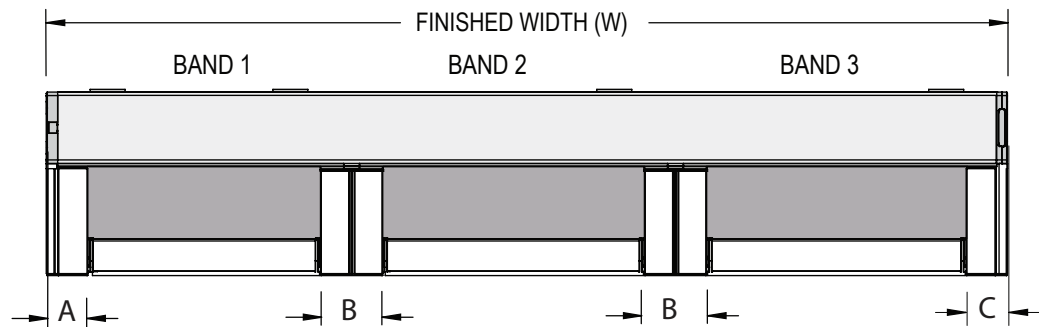
SINGLE SHADE



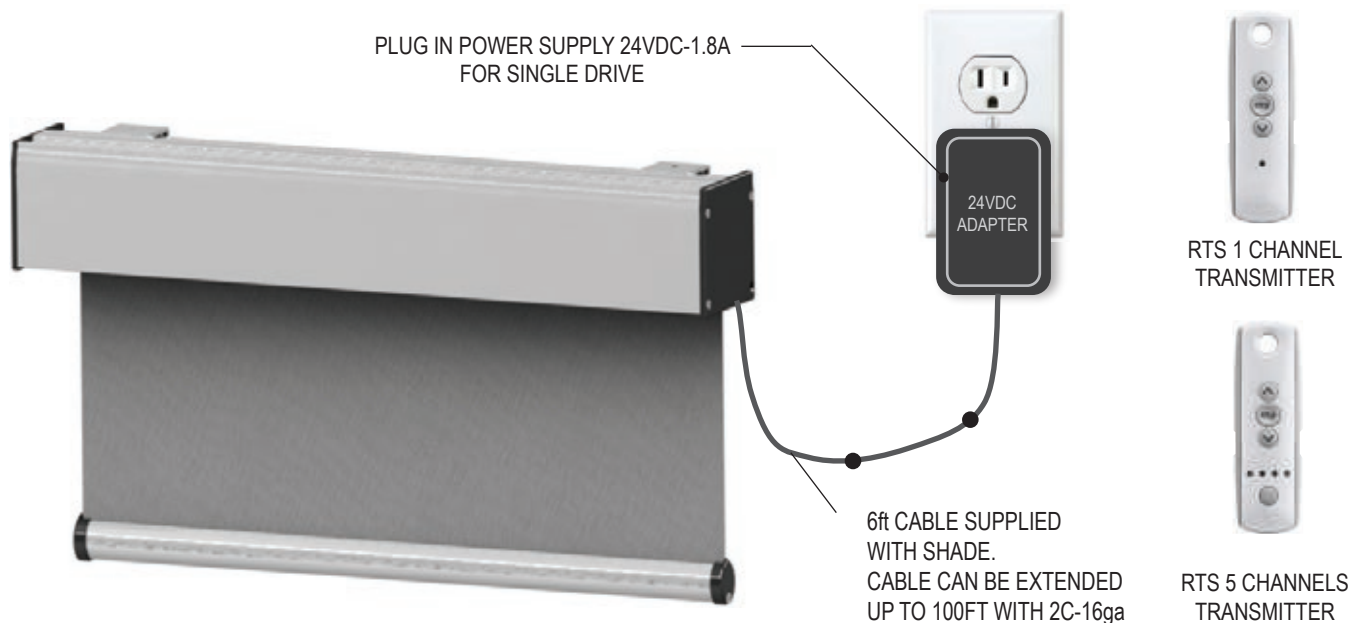
2 BANDED TANDEM SHADE



3 BANDED TANDEM SHADE



| CHANNEL | A | B | C |
|-----------|---------------|---------------|---------------|
| | T-460 | T-490 | T-460 |
| | ± 60 [2.362"] | ± 90 [3.543"] | ± 60 [2.362"] |
| DIMENSION | | | |



■ **When ordering, G-line will supply:**

- Pre-assembled shade with mounting brackets for ease of installation.

■ **Must be ordered separately**

- Plug-in power supply 24VDC for single DRIVE as a standard option.
- For wiring of 3, 6, 9 and etc DRIVES, see related wiring diagram or contact customer service consultants for further assistance.

■ **To be ordered separately as a choice of control options:**

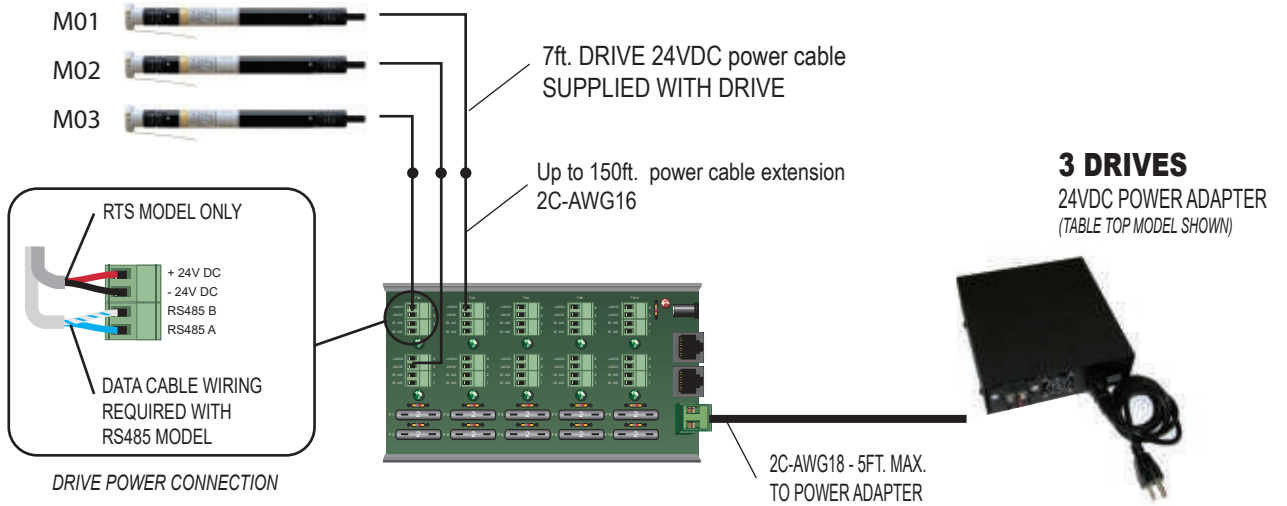
- RTS 1 channel transmitter
- RTS 2 channel transmitter
- RTS 16 channel transmitter
- RTS 1 channel wall switch
- RTS 5 channel wall switch
- RTS Sun Sensor with 24VDC power supply kit. Please contact customer service for ordering of this item).

■ **System information:**

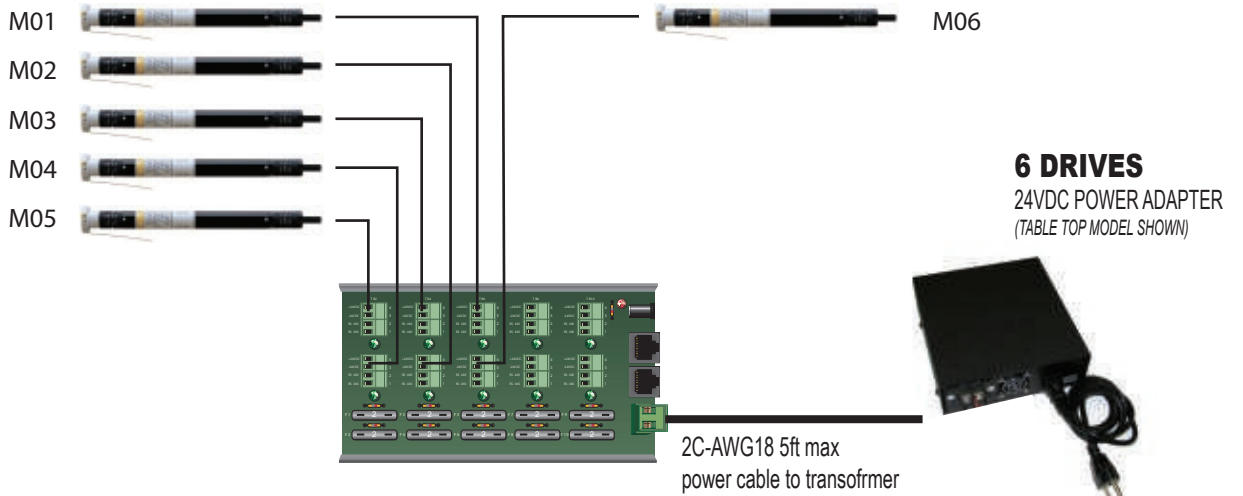
- Individual or group shading control via wireless control devices
- Up&Down pre-set position. Must be set by the installer on site.
- Transmitter does not need to be pointed directly at the shade
- Please choose choice of control options

RTS 5 CHANNELS WALL SWITCH

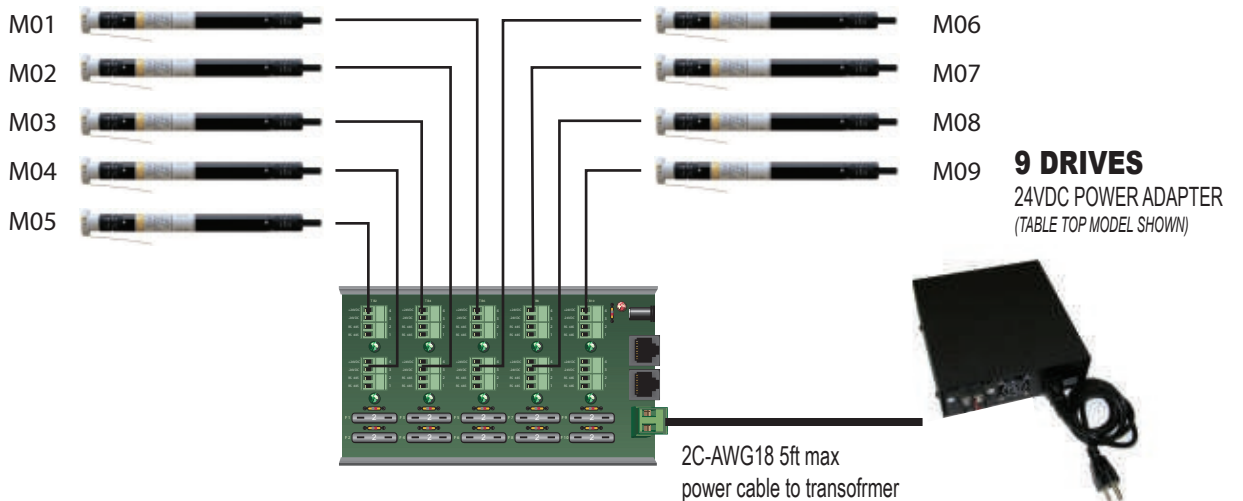
3 DRIVES CONNECTION



6 DRIVES CONNECTION

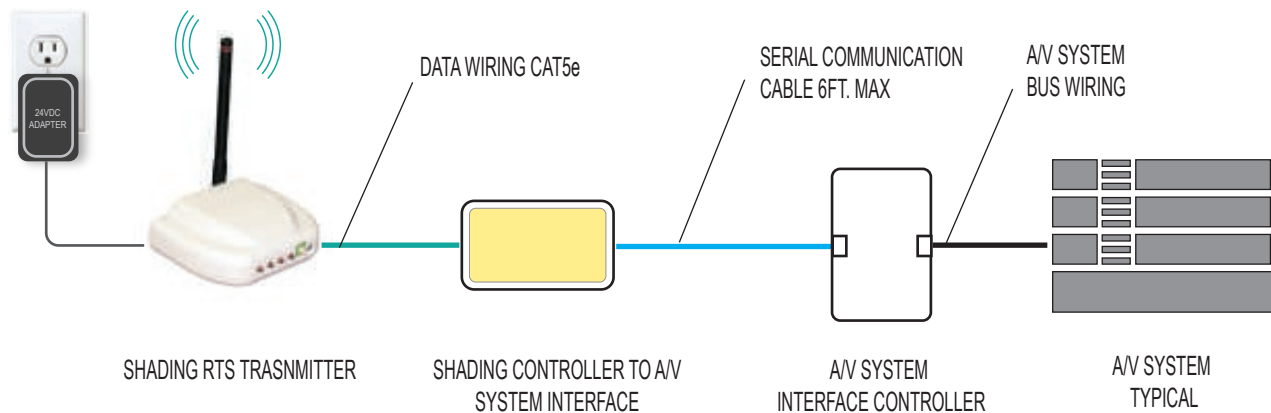
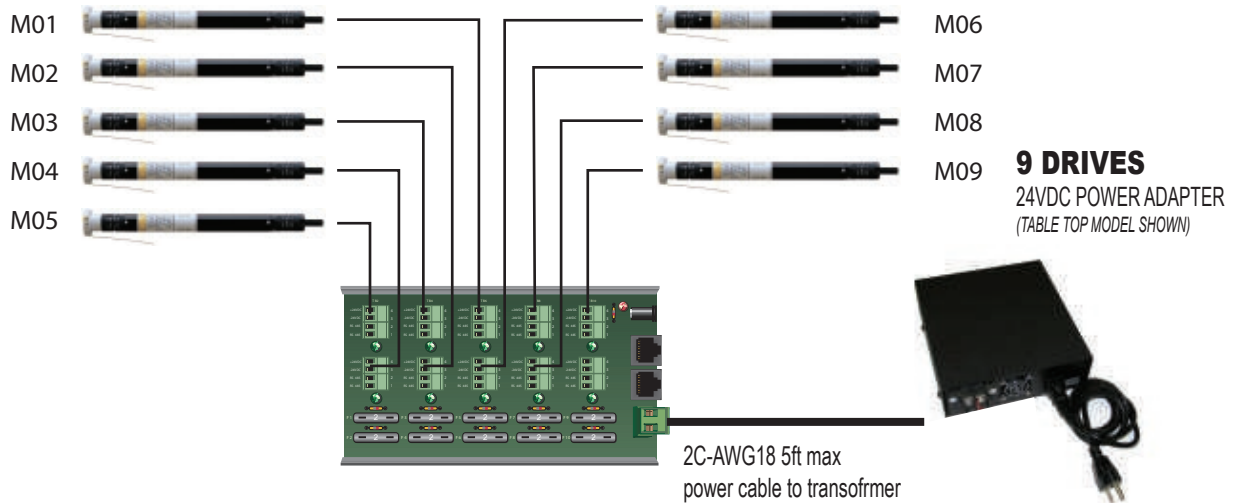


9 DRIVES CONNECTION



INTEGRATION TO A/V SYSTEM

WITH WIRELESS CONTROLLER AND PROGRAMMABLE INTERFACE



NOTES:

- 1) WIRING BLOCK DIAGRAM FOR REFERENCE ONLY
- 2) SHADING WIRELESS (RTS) TRANSMITTER REQUIRES POWER VIA 24VDC ADAPTER. PROVIDE OUTLET WITHIN 6FT- BY OTHERS. ACCESS TO DEVICE IS REQUIRED ALL THE TIME. MAX RANGE +/- 45FT . AND MAY VARY WITH DIFERENT STUDS, WALLS, FLOOR MATERIAL AND DESIGNS. PELASE CONSIDER LIMITATION WHEN ESTIMATE LOCATION OF RTS. CONTACT G-LINE CUST. SERVICE FOR ASSISTANCE.
- 3) SHADING TRANSMITTER AND SHADING CONTROLLER REQUIRES PROGRAMMING. COLABORATION WITH A/V INTEGRATOR IS REQUIRED.
- 4) DATA WIRING CAT5e. ALL DATA WIRING BY OTHERS.
- 5) SERIAL COMMUNICATION CALBE 6FT. MAX, SUPPLIED WITH SHADING CONTROLLER
- 6) A/V SYSTEM BUS WIRING - BY OTHERS, A/V SYSTEM PROVIDED AND ITS ASSOCIATE CONTRACTORS
- 7) SOME INTEGRATION SOLUTIONS DOES NOT REQUIRE INTERFACE CONTROLLER BUT SHADING TRANSMITTER ONLY AND WILL VARRY BY A/V SYSTEM TYPE IMPLEMENTED ON THE PROJECT.
- 8) SHADES CONTROL BY HARDWARE (SWITCHES, TOUCH PANELS) PROVIDED BY A/V SYSTEM AFTER INTEGRATION
- 9) CONTACT G-LINE FOR SOLUTIONS FOR INTEGRATION TO A/V AVAILABLE.