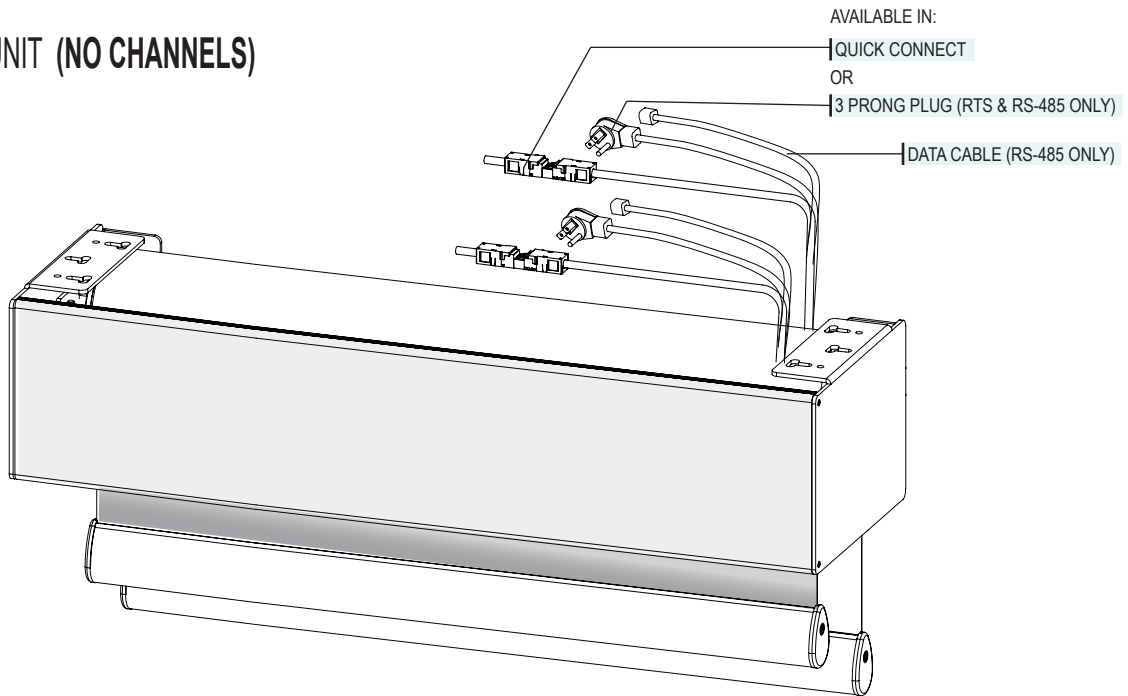
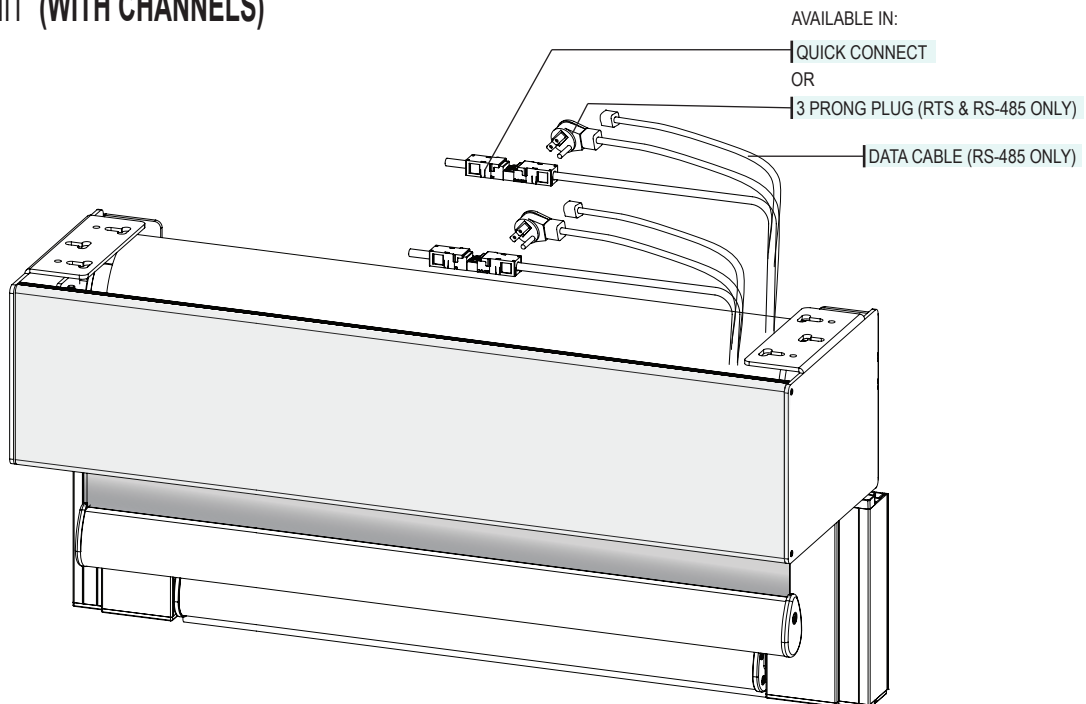


COMBINATION ROLLER SHADES-120VAC DRIVES

■ SINGLE UNIT (NO CHANNELS)



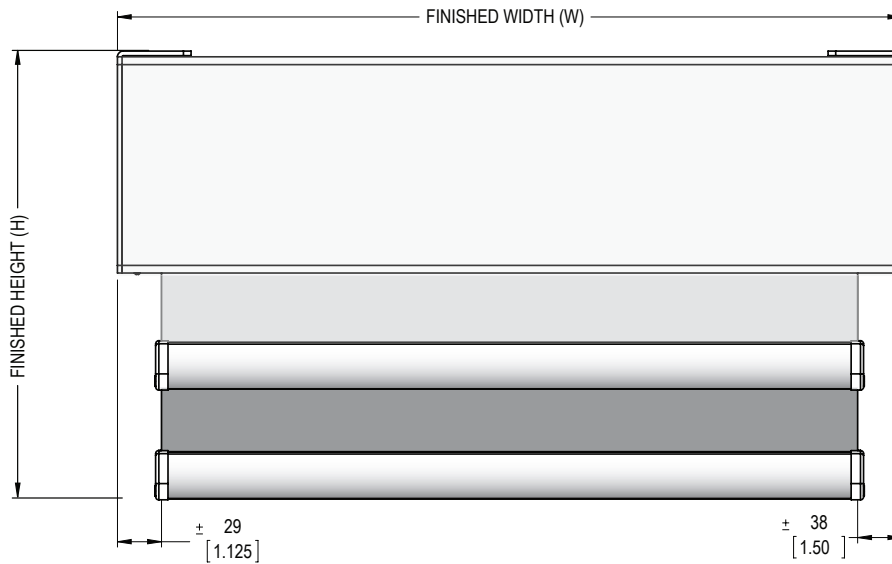
■ SINGLE UNIT (WITH CHANNELS)



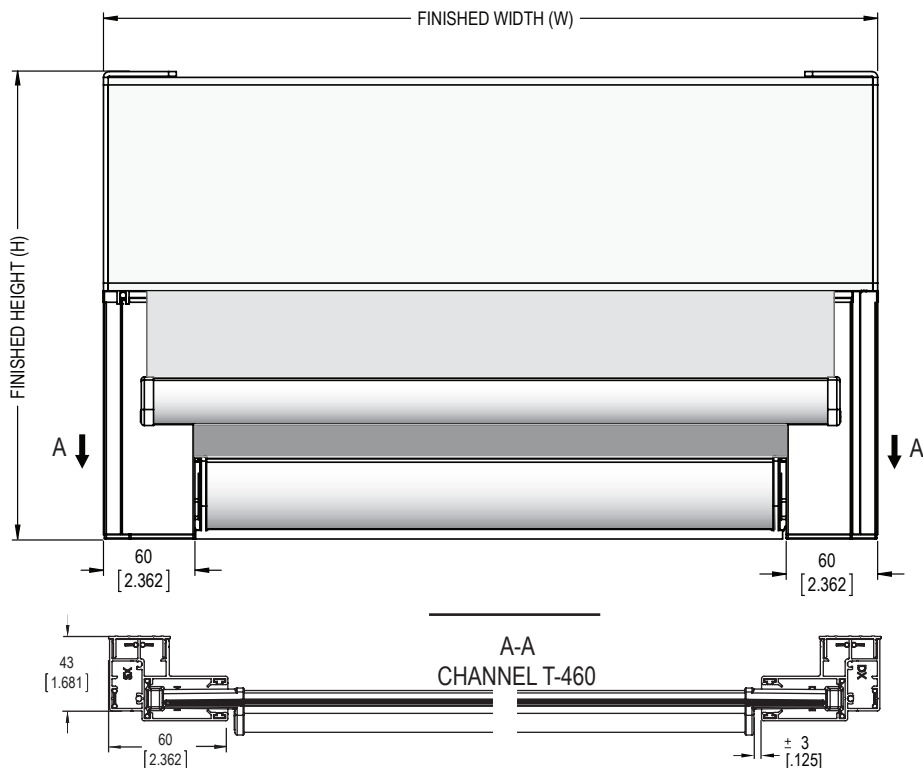
SIZE LIMITATIONS APPLIES. CALL G-LINE FOR DETAILS

COMBINATION ROLLER SHADES-120VAC DRIVES

SINGLE UNIT (NO CHANNELS)

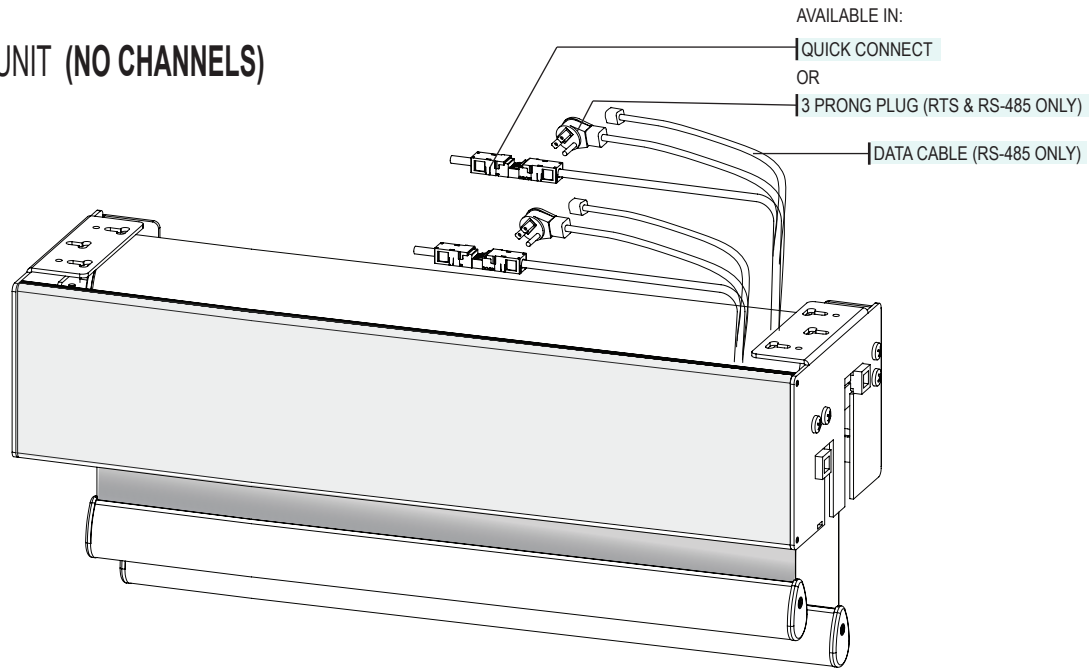


SINGLE UNIT (WITH CHANNELS)

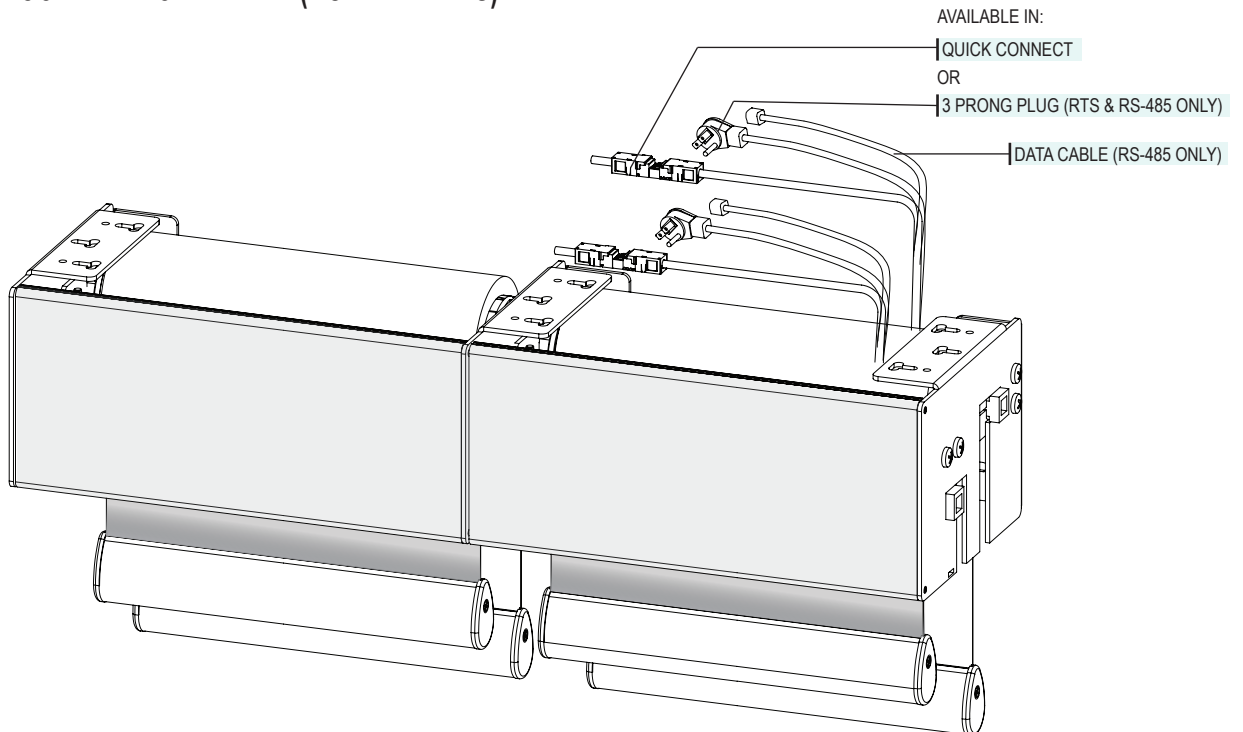


OVERSIZED COMBINATION ROLLER SHADES-120VAC DRIVES

SINGLE UNIT (NO CHANNELS)



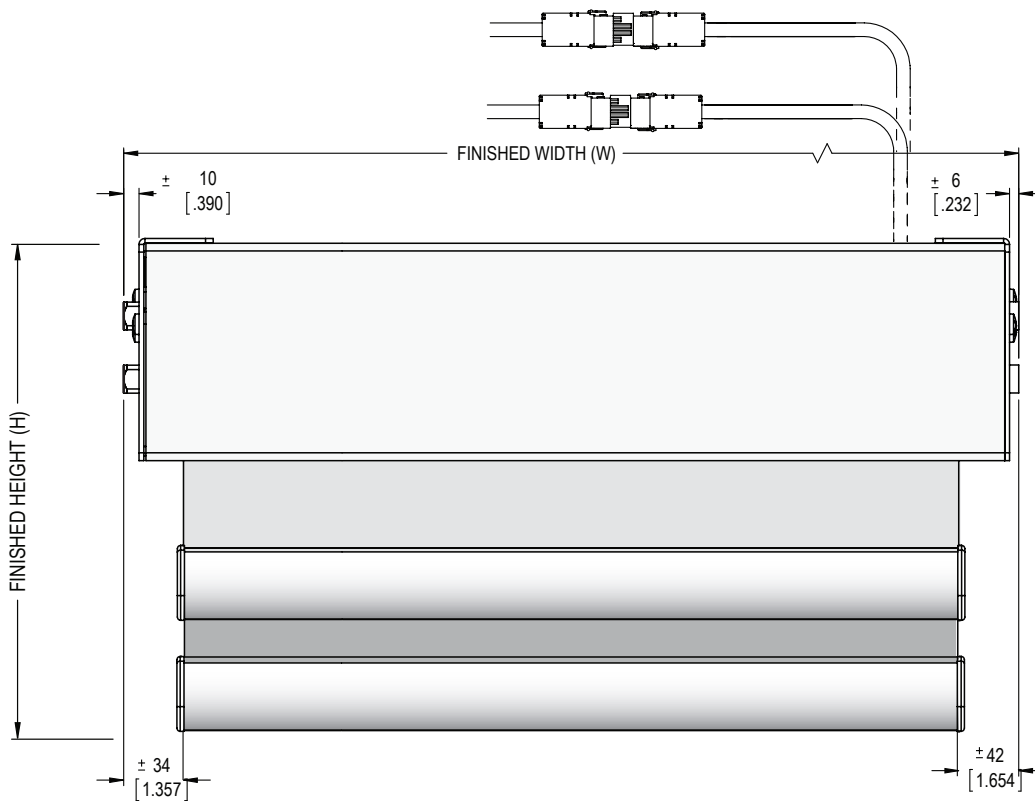
TANDEM COMBINATION SHADE (NO CHANNELS)



AVAILABLE IN: 2B 3B 4B

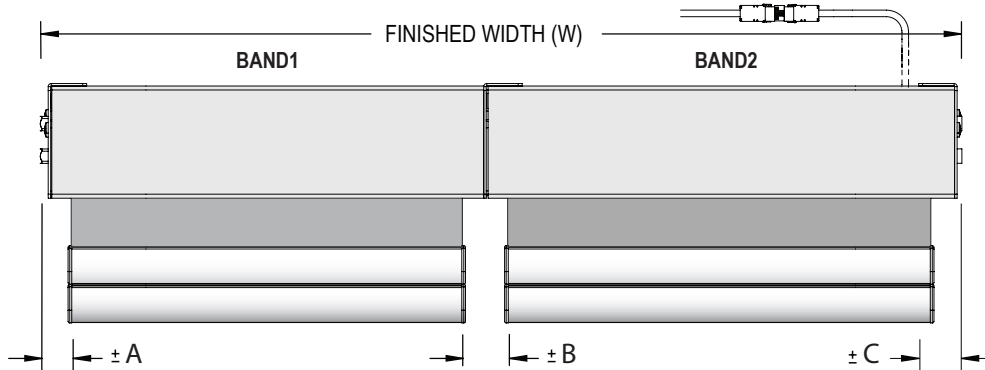
OVERSIZED COMBINATION ROLLER SHADES-120VAC DRIVES

■ SINGLE UNIT (NO CHANNELS)

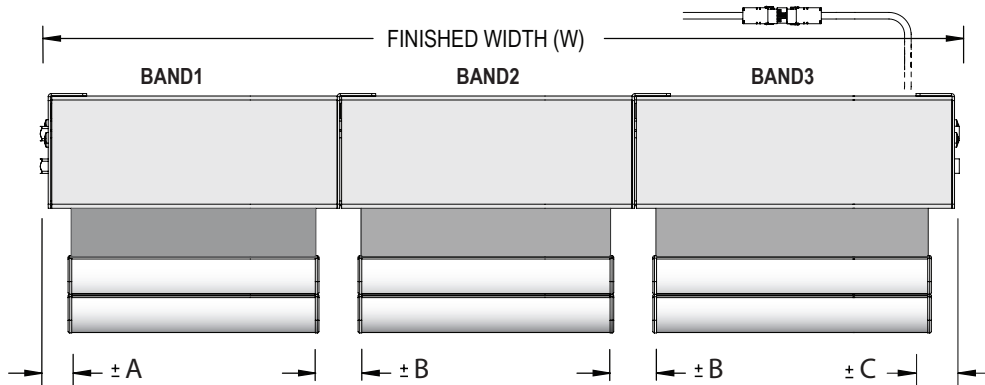


AVAILABLE TANDEM OPTIONS

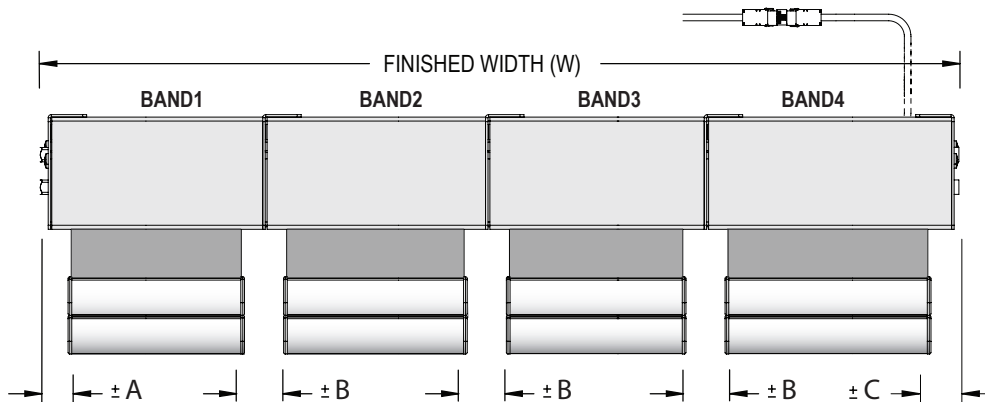
2 BANDED TANDEM SHADE



3 BANDED TANDEM SHADE



4 BANDED TANDEM SHADE

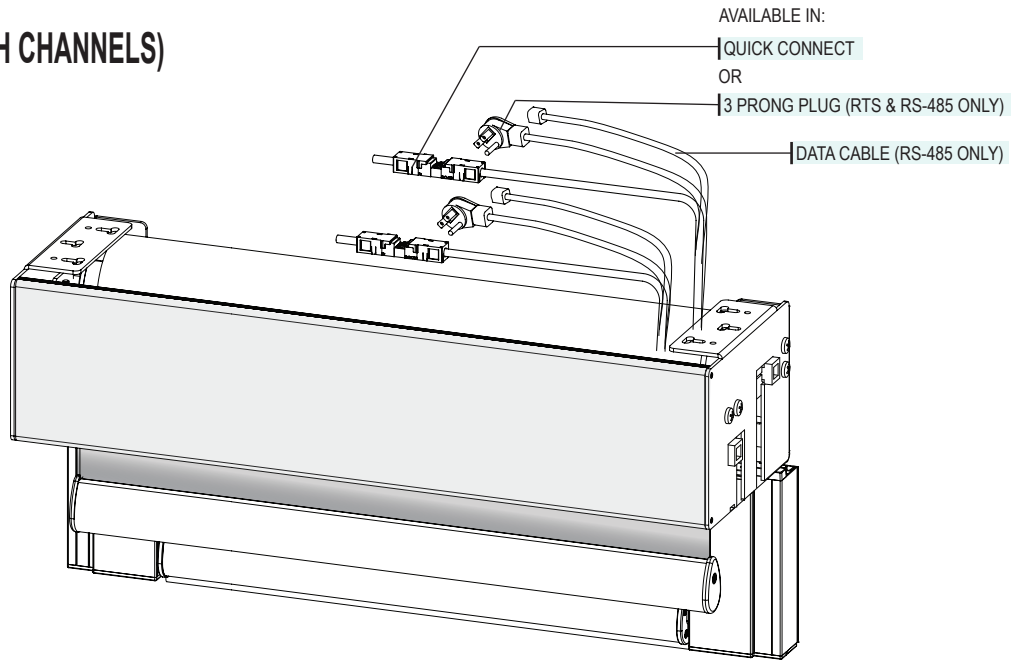


AVAILABLE IN: **2B** **3B** **4B**

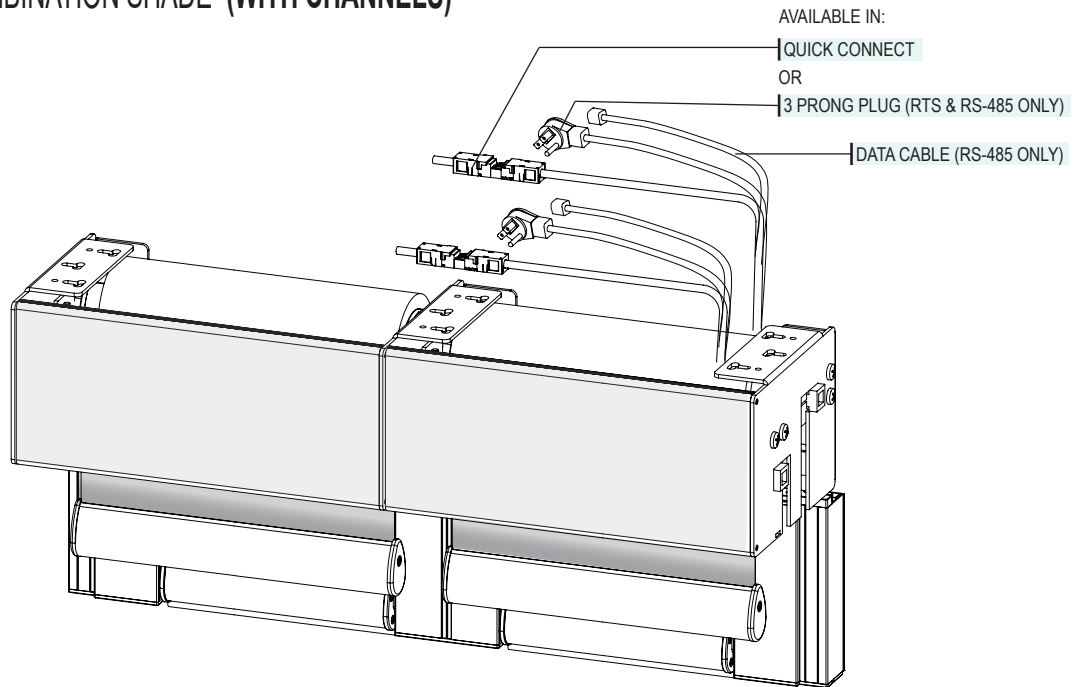
EDGE CLEARANCE	A	B	C
DIMENSION	± 34 [0.1357"]	± 56 [2.204"]	± 42 [1.644"]

COMBINATION ROLLER SHADES-120VAC DRIVES

SINGLE UNIT (WITH CHANNELS)



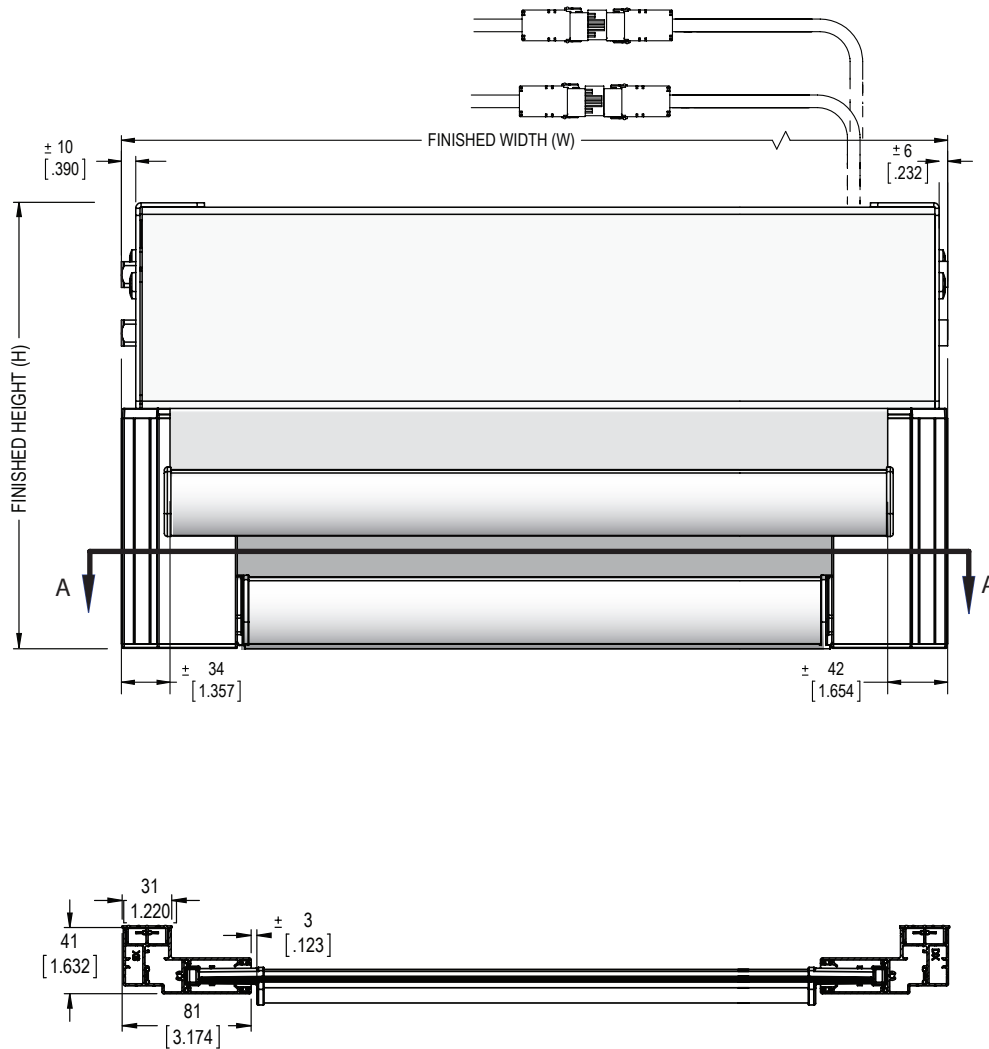
TANDEM COMBINATION SHADE (WITH CHANNELS)



AVAILABLE IN: 2B 3B 4B

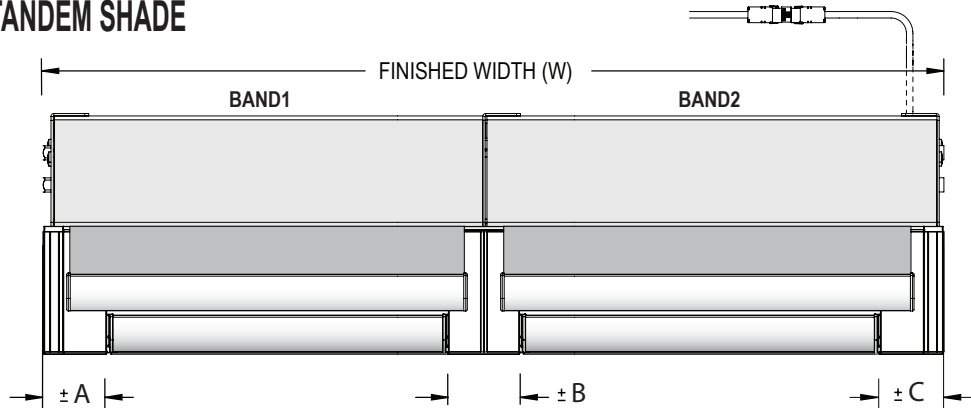
COMBINATION ROLLER SHADES-120VAC DRIVES

■ SINGLE UNIT (WITH CHANNELS)

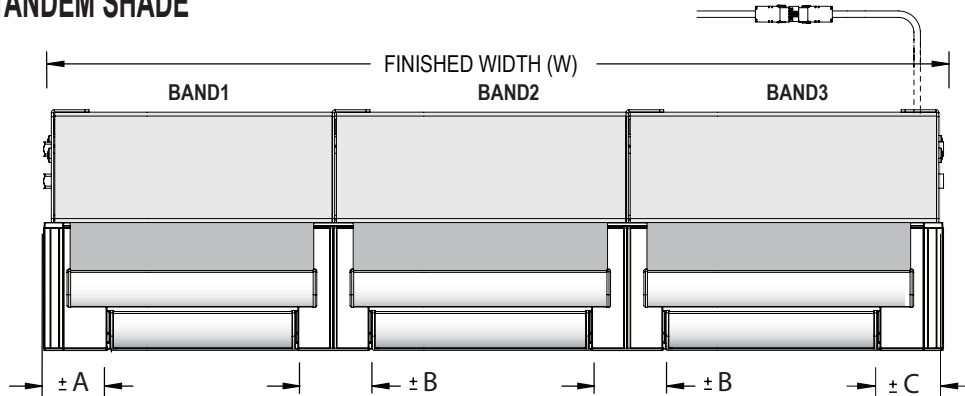


AVAILABLE TANDEM OPTIONS

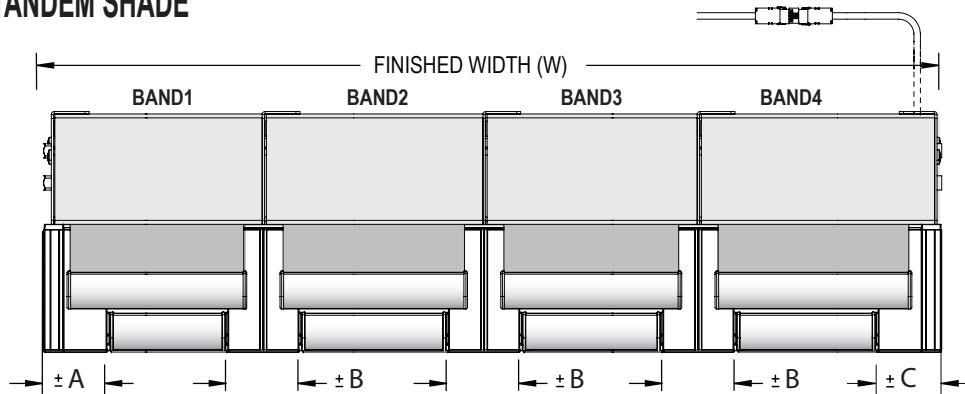
2 BANDED TANDEM SHADE



3 BANDED TANDEM SHADE



4 BANDED TANDEM SHADE



CHANNEL	A	B	C
	T-480	T-490	T-480
	± 81 [3.174"]	± 90 [3.543"]	± 81 [3.174"]
DIMENSION			

AVAILABLE IN: 2B 3B 4B