

EXTERIOR AUTOMATED SUNCONTROL SCREEN SYSTEM - 120VAC DRIVE



EXTERIOR AUTOMATED SUNCONTROL SCREEN SYSTEM - 120VAC DRIVE

SINGLE SHADE / CEILING OR WALL MOUNTED

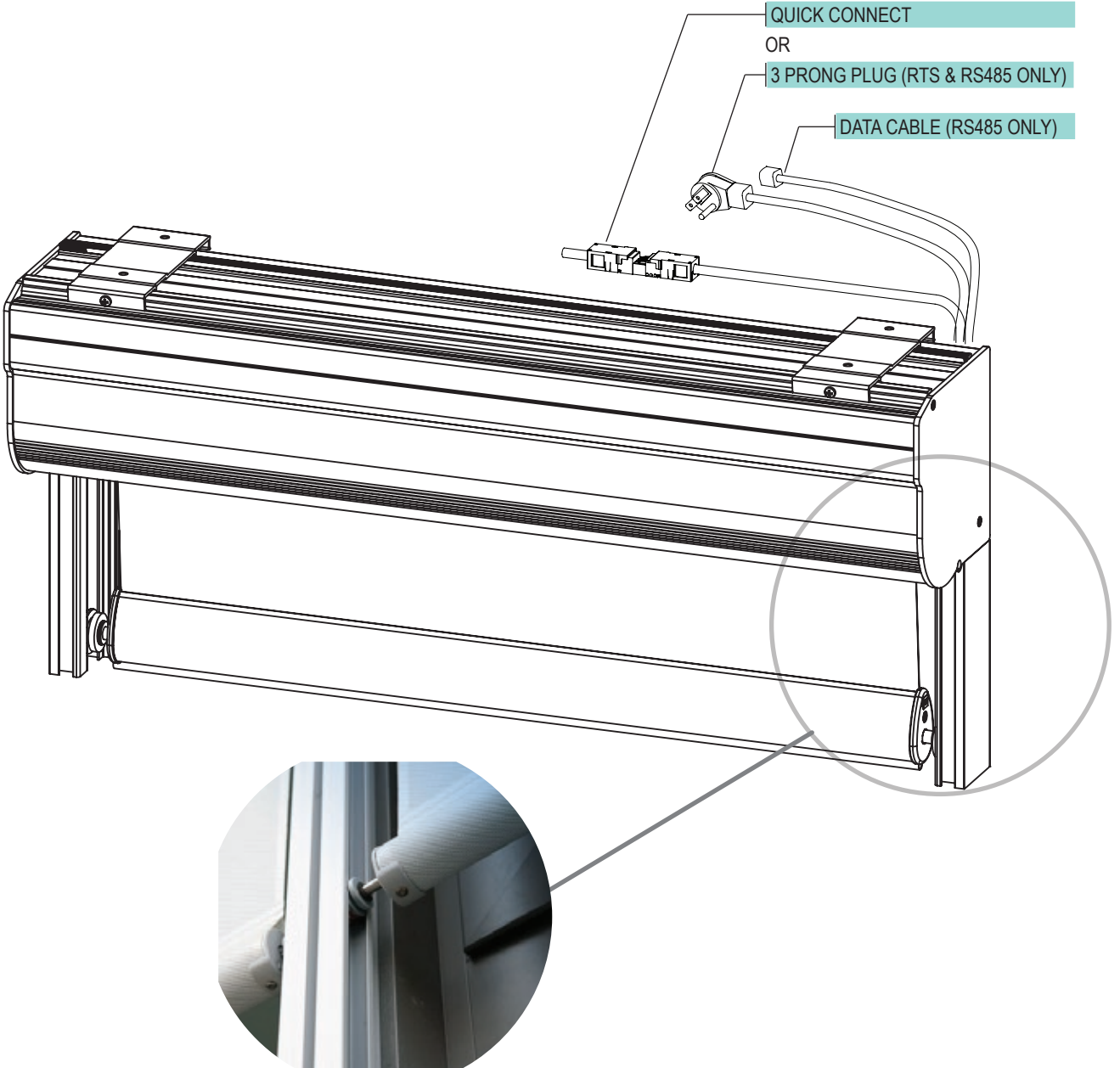
AVAILABLE IN:

QUICK CONNECT

OR

3 PRONG PLUG (RTS & RS485 ONLY)

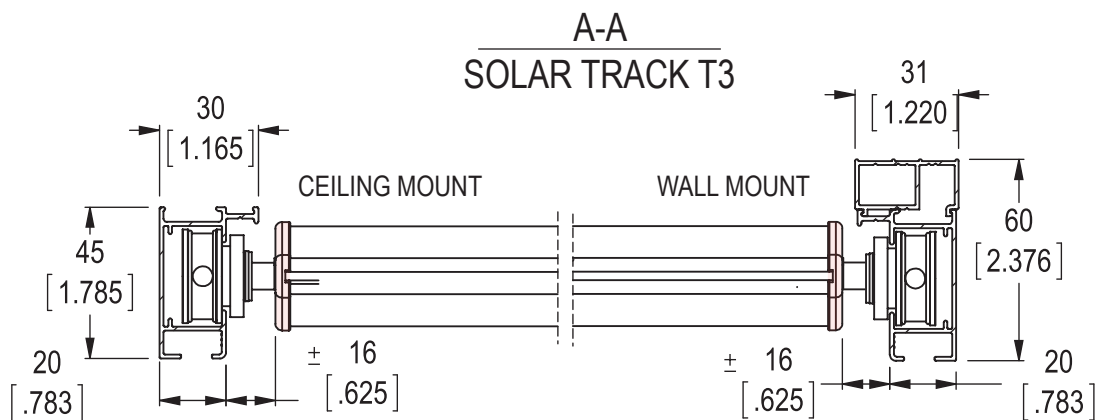
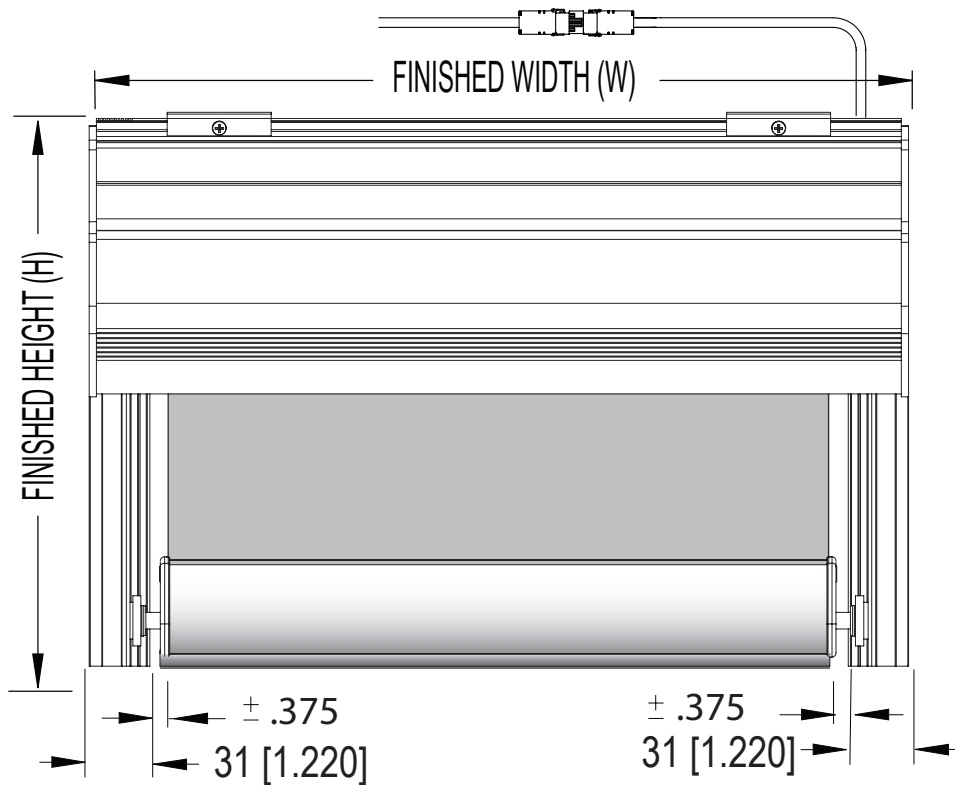
DATA CABLE (RS485 ONLY)



SOLAR TRACK T3

SIZE LIMITATIONS APPLY

EXTERIOR AUTOMATED SUNCONTROL SCREEN SYSTEM - 120VAC DRIVE



SIZE LIMITATIONS APPLY

EXTERIOR AUTOMATED SUNCONTROL SCREEN SYSTEM - 120VAC DRIVE

SINGLE SHADE / CEILING OR WALL MOUNTED

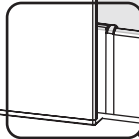
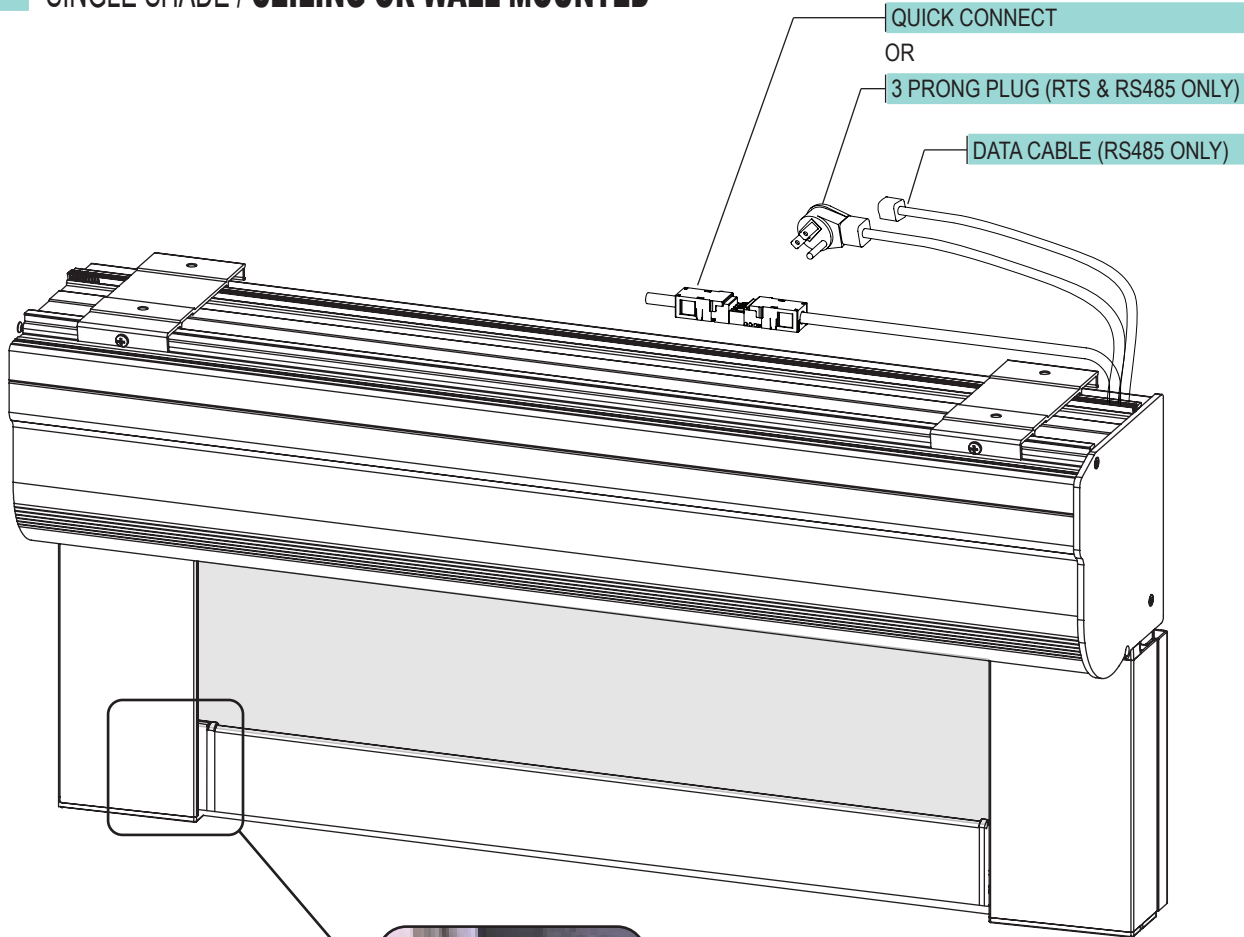
AVAILABLE IN:

QUICK CONNECT

OR

3 PRONG PLUG (RTS & RS485 ONLY)

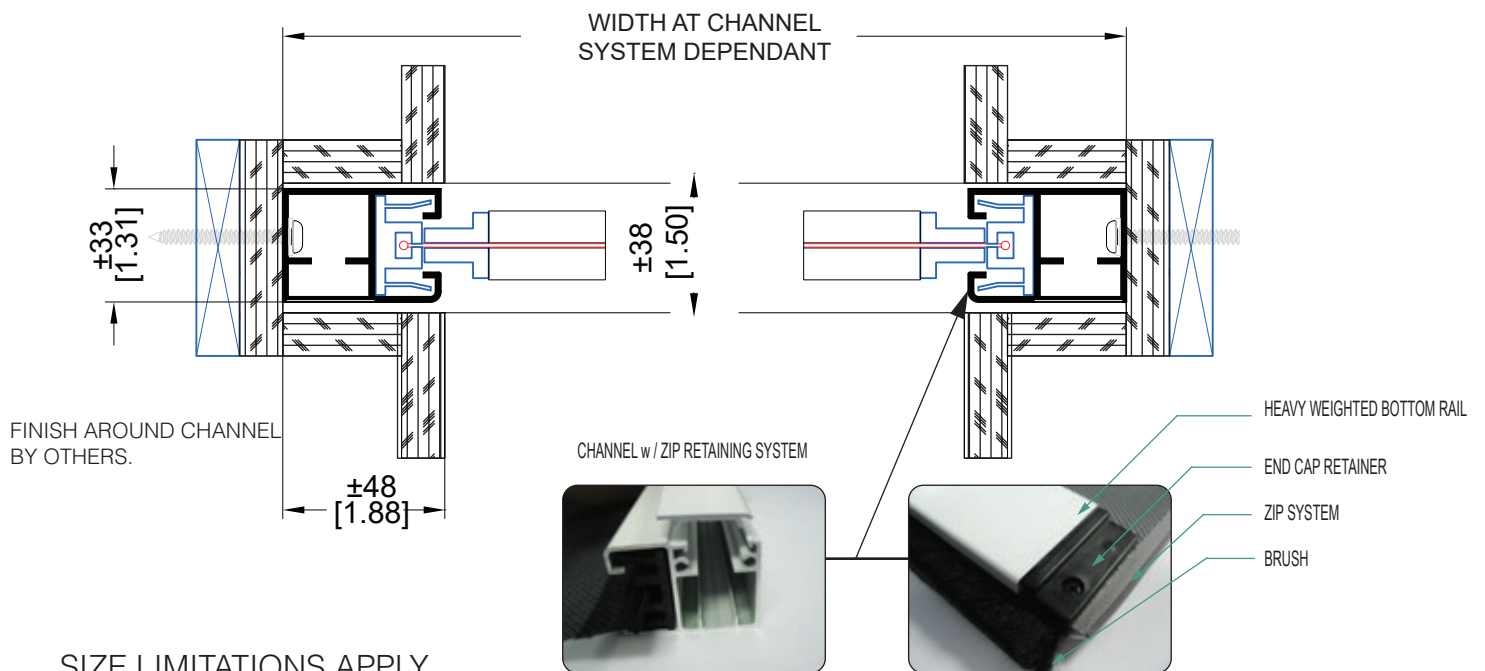
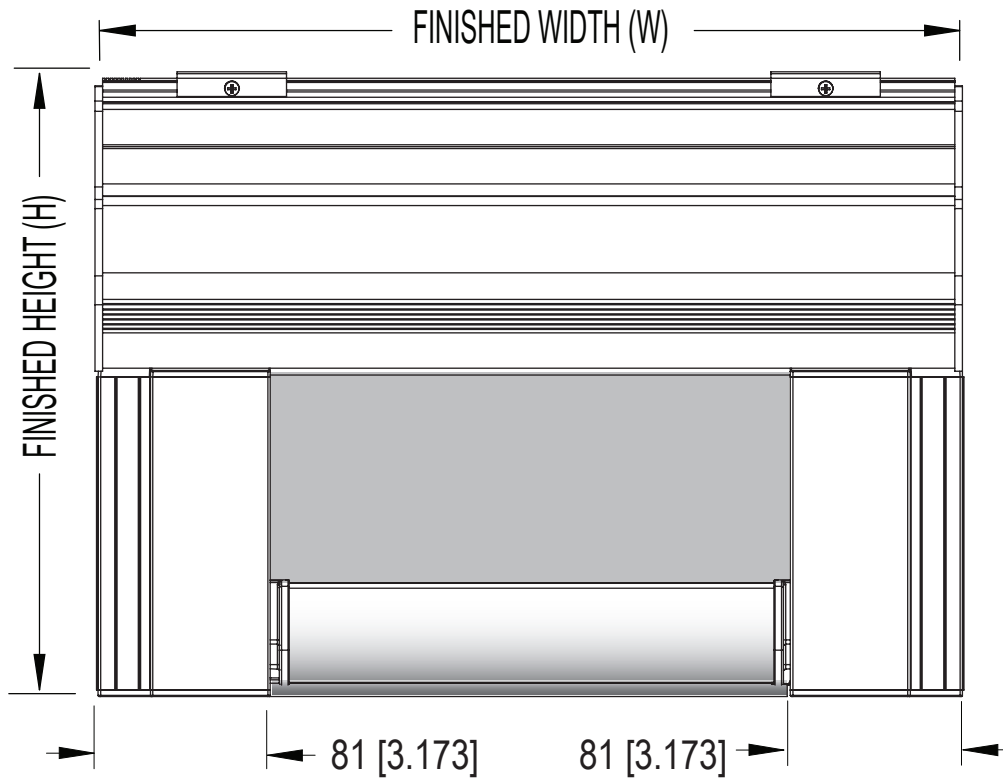
DATA CABLE (RS485 ONLY)



ZIP
RETAINING SYSTEM

SIZE LIMITATIONS APPLY

EXTERIOR AUTOMATED SUNCONTROL SCREEN SYSTEM - 120VAC DRIVE



SIZE LIMITATIONS APPLY

EXTERIOR AUTOMATED SUNCONTROL SCREEN SYSTEM - 120VAC DRIVE

■ SINGLE SHADE / WALL OR CEILING APPLICATION

AVAILABLE IN:

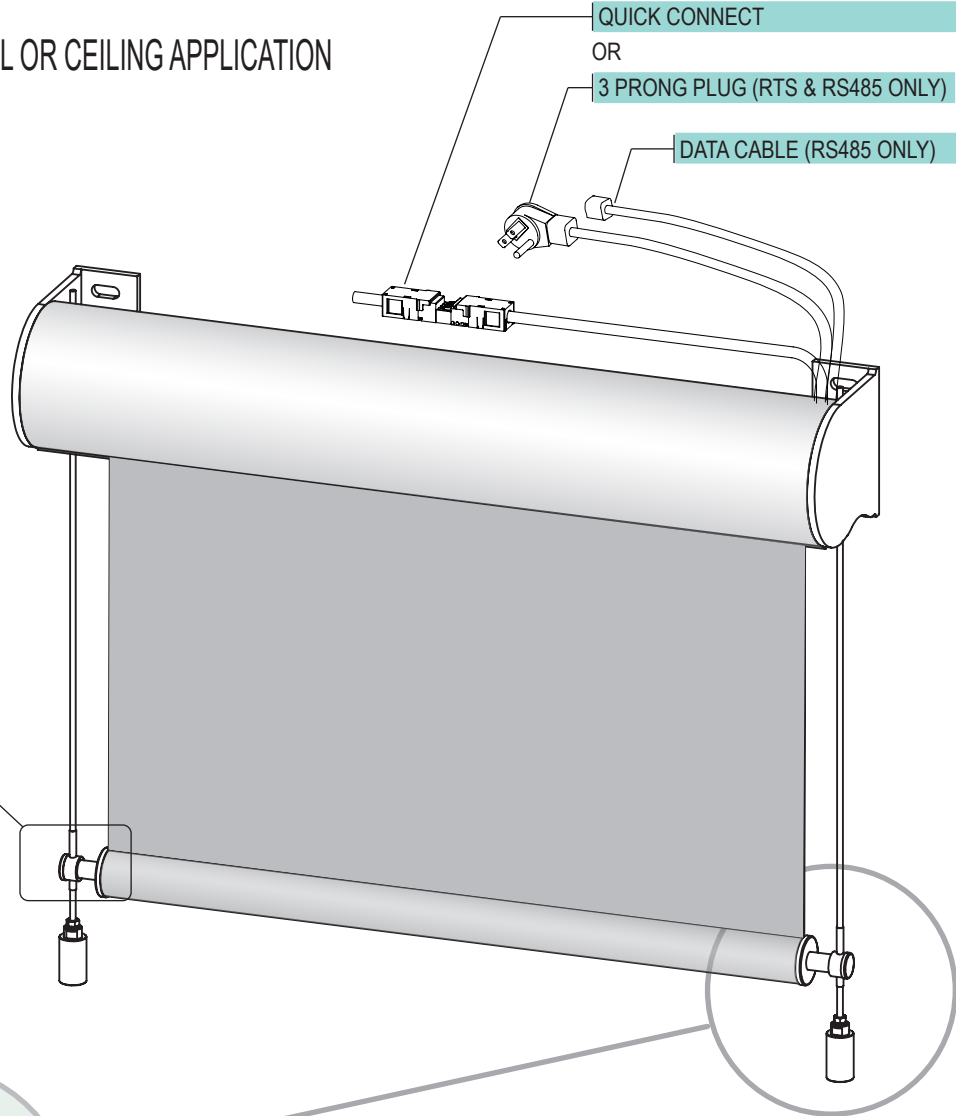
QUICK CONNECT

OR

3 PRONG PLUG (RTS & RS485 ONLY)

DATA CABLE (RS485 ONLY)

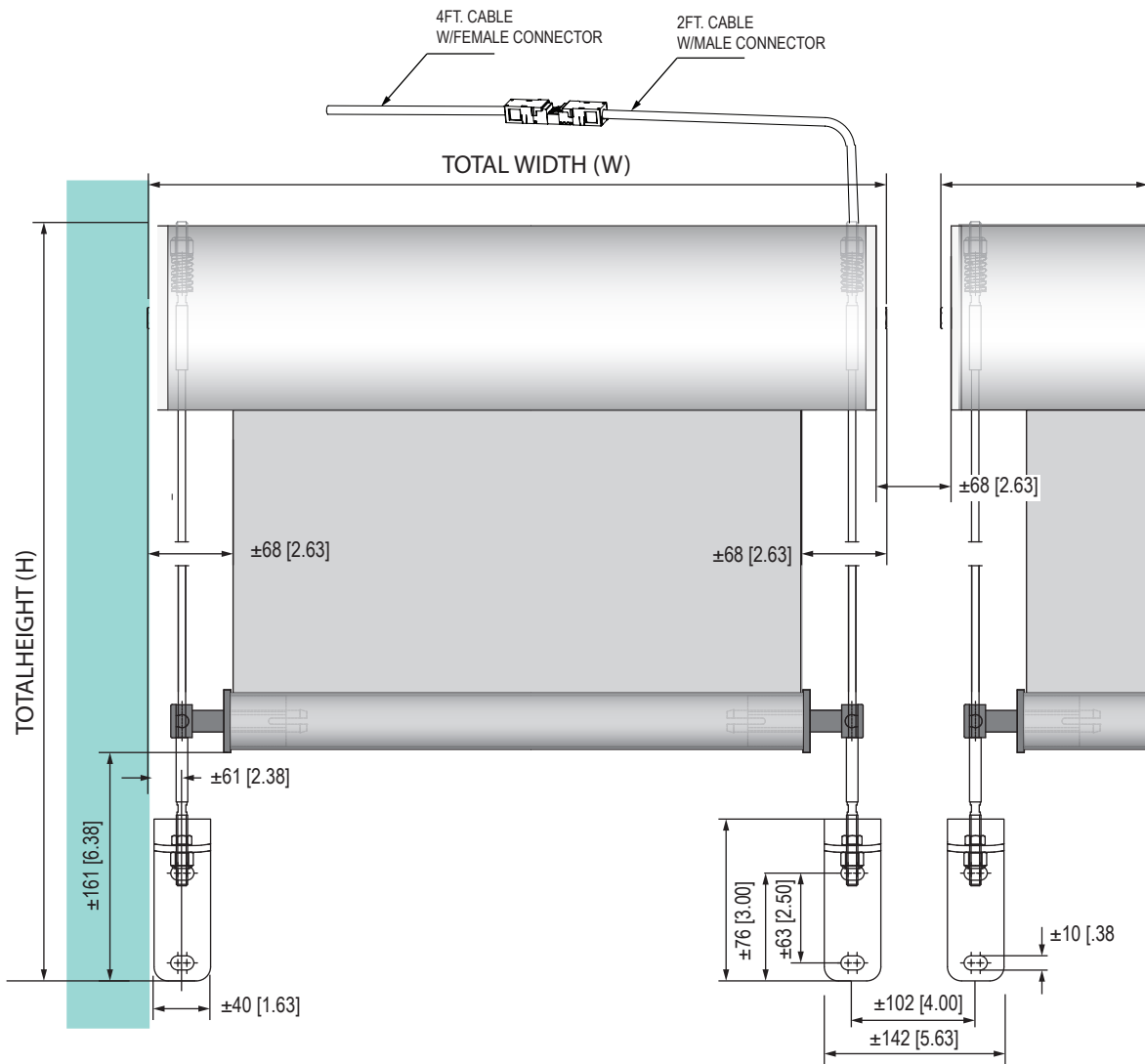
CABLE GUIDED
BOTTOM RAIL



SIZE LIMITATIONS APPLY

EXTERIOR AUTOMATED SUNCONTROL SCREEN SYSTEM - 120VAC DRIVE

SINGLE SHADE / WALL MOUNTED

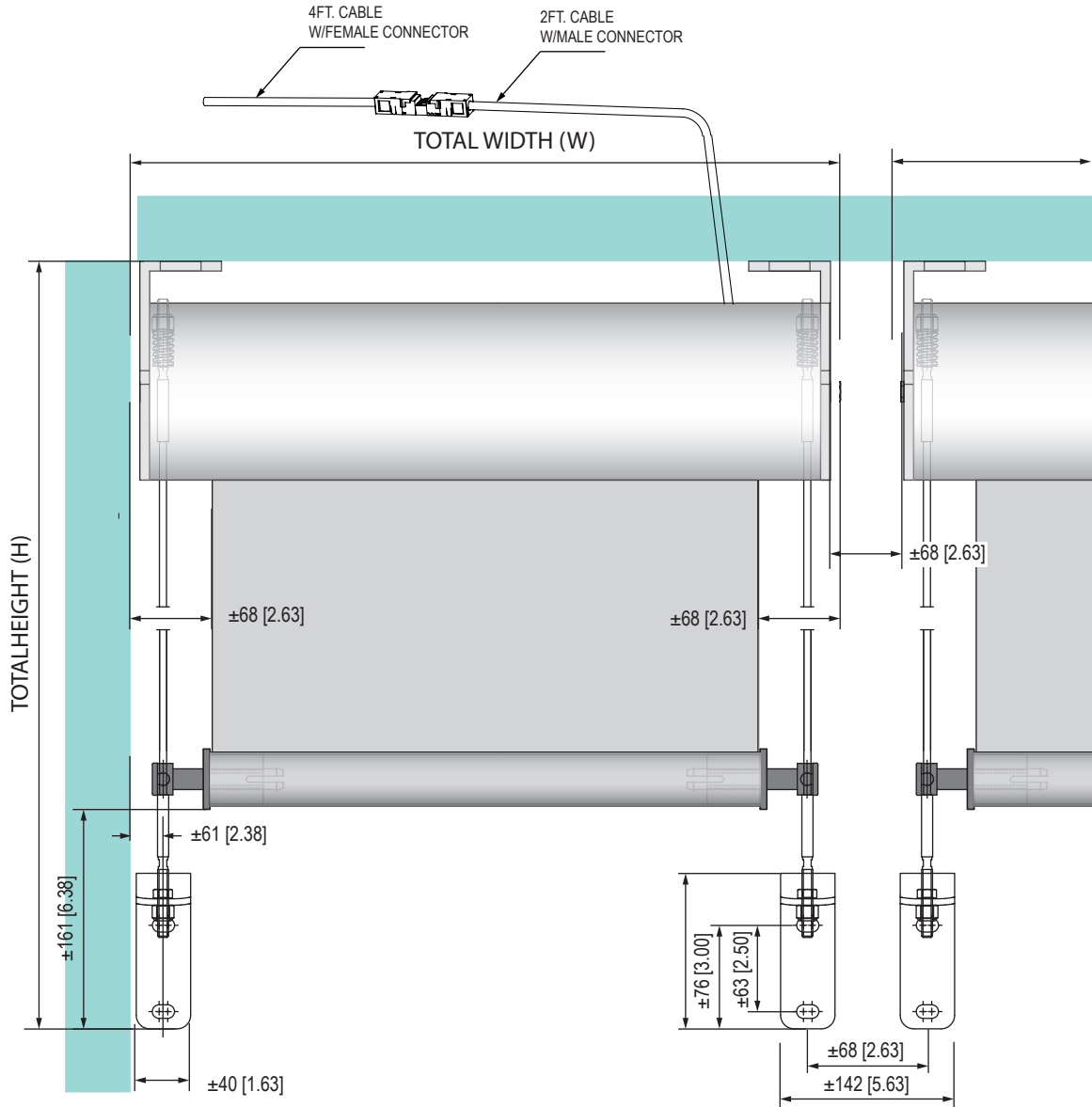


SHADE WITH WALL MOUNT CABLE BRACKET SHOWN
DRAWING SHOWN FOR REFERENCE ONLY
PLEASE CONTACT G-LINE
FOR DETAILED DRAWINGS AND PRODUCT INFORMATION

SIZE LIMITATIONS APPLY

EXTERIOR AUTOMATED SUNCONTROL SCREEN SYSTEM - 120VAC DRIVE

SINGLE SHADE / CEILING MOUNTED



SHADE WITH WALL MOUNT CABLE BRACKET SHOWN
DRAWING SHOWN FOR REFERENCE ONLY
PLEASE CONTACT G-LINE
FOR DETAILED DRAWINGS AND PRODUCT INFORMATION

SIZE LIMITATIONS APPLY