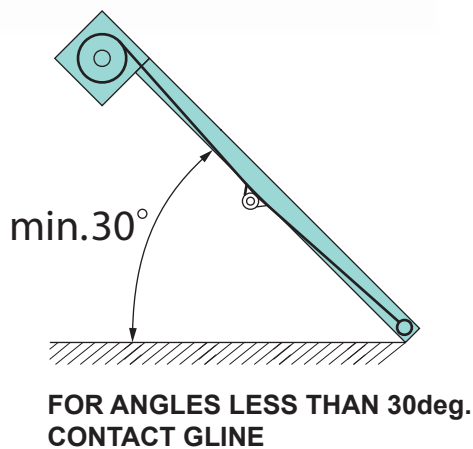
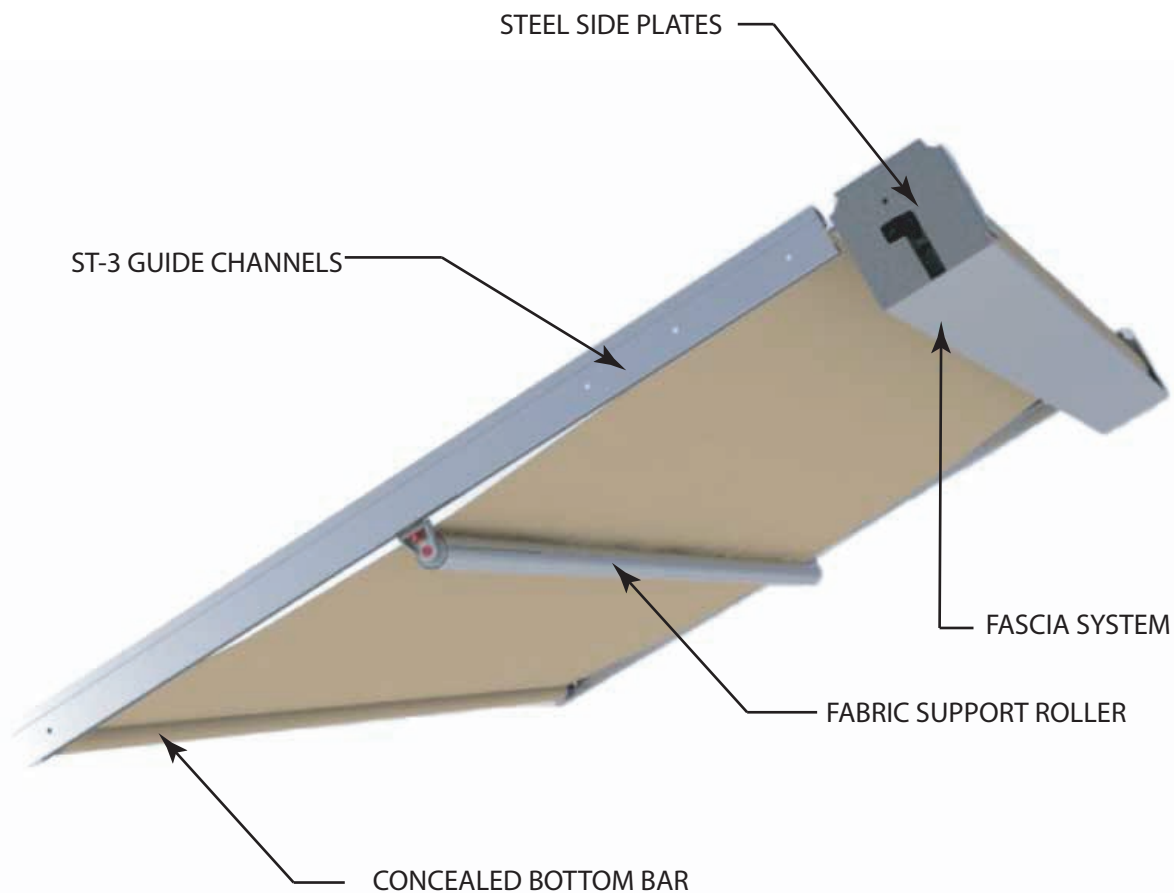


## FASCIA SYSTEM MOTORIZED SKYLIGHT SL-3A FOR SLOPED APPLICATIONS

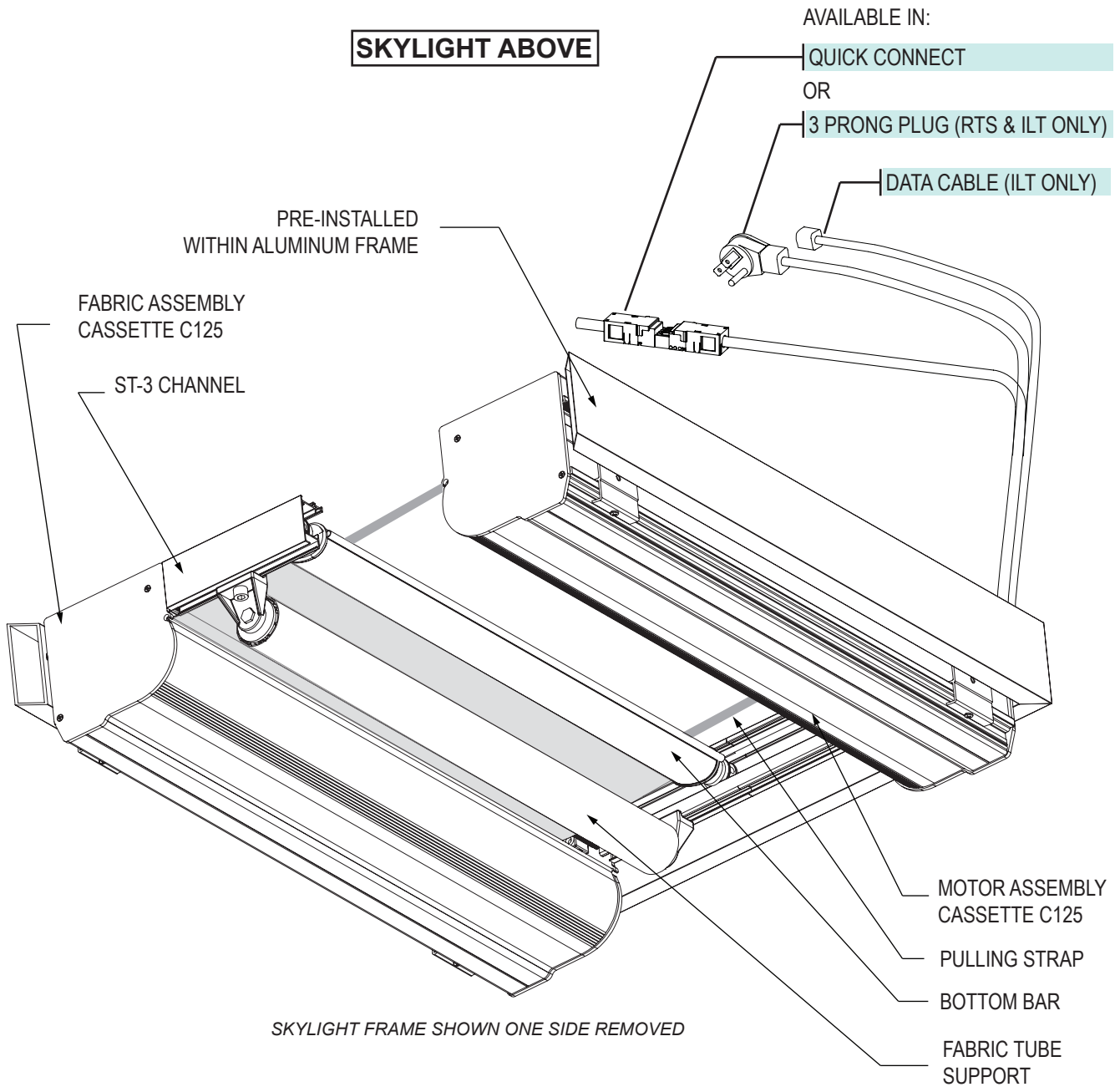


**NOTES:**

- 1) DRAWING FOR REFERENCE AND QUOTATION PURPOSES ONLY
- 2) FINAL DIMENSION VERIFICATION REQUIRED BY G-LINE INC.
- 3) FOR PRODUCT DETAILS AND CASE STUDIES VISIT [WWW.GLINEINC.COM](http://WWW.GLINEINC.COM)
- 4) FOR PROJECT SHOP DRAWINGS CONTACT GLINE INC.
- 5) UNSPECIFIED DIMENSION TOLERANCES +/-3mm[1/8"]

**AVAILABLE IN:** 2B 3B 4B

# FASCIA SYSTEM MOTORIZED SKYLIGHT SL-3T WITH REINFORCED PULL STRAP TENSION MECHANISM



**NOTES:**

- 1) DRAWING FOR REFERENCE AND QUOTATION PURPOSES ONLY
- 2) FINAL DIMENSION VERIFICATION REQUIRED BY G-LINE INC.
- 3) FOR PRODUCT DETAILS AND CASE STUDIES VISIT [WWW.GLINEINC.COM](http://WWW.GLINEINC.COM)
- 4) FOR PROJECT SHOP DRAWINGS CONTACT GLINE INC.
- 5) UNSPECIFIED DIMENSION TOLERANCES +/-3mm[1/8"]

**AVAILABLE IN:** SINGLE SKYLIGHT

